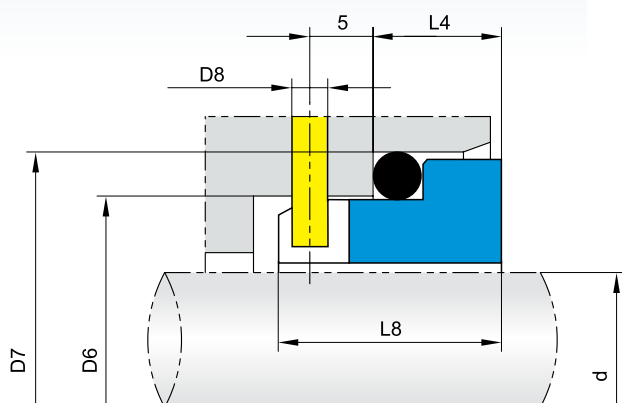


- O-Ring Stationary seat με εγκοπή για πείρο συγκράτησης σύμφωνα με EN12756
- Υλικά κατασκευής
A,B,V1,Q1,Q2,U1,U2



Stationary seat

TS SEALS C02



Size Metric	d	D6	D7	D8	L4	L8
10	10	17	21	3	8.6	15.0
12	12	19	23	3	8.6	15.0
14	14	21	25	3	8.6	15.0
16	16	23	27	3	8.6	15.0
18	18	27	33	3	10.0	17.0
20	20	29	35	3	10.0	17.0
22	22	31	37	3	10.0	17.0
24	24	33	39	3	10.0	17.0
25	25	34	40	3	10.0	17.0
28	28	37	43	3	10.0	17.0
30	30	39	45	3	10.0	17.0
32	32	42	48	3	10.0	17.0
33	33	42	48	3	10.0	17.0
35	35	44	50	3	10.0	17.0
38	38	49	56	4	11.0	18.0
40	40	51	58	4	11.0	18.0
43	43	54	61	4	11.0	18.0
45	45	56	63	4	11.0	18.0
48	48	59	66	4	11.0	18.0
50	50	62	70	4	13.0	20.0
53	53	65	73	4	13.0	20.0
55	55	67	75	4	13.0	20.0
58	58	70	78	4	13.0	20.0
60	60	72	80	4	13.0	20.0
63	63	75	83	4	13.0	20.0
65	65	77	85	4	13.0	20.0
68	68	81	90	4	15.3	22.0
70	70	83	92	4	15.3	22.0
75	75	88	97	4	15.3	22.0
80	80	95	105	4	15.7	22.5
85	85	100	110	4	15.7	22.5
90	90	105	115	4	15.7	22.5
95	95	110	120	4	15.7	22.5
100	100	115	125	4	15.7	22.5